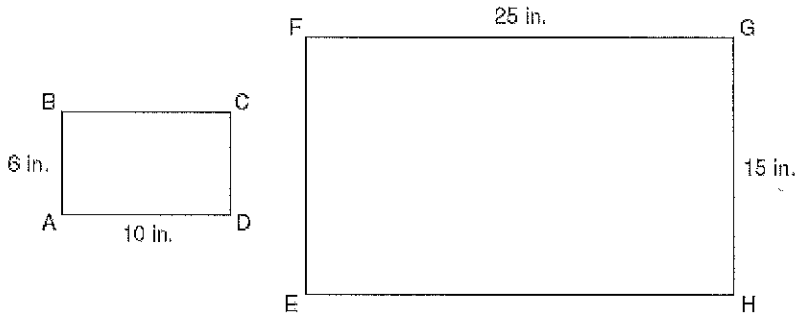


PreAlgebra: Dilations & Finding Scale Factor Worksheet

Show your work!!!

1. Rectangle ABCD is similar to rectangle EFGH.

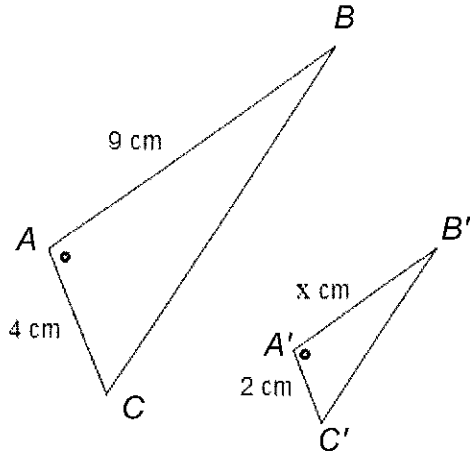


What is the scale factor from rectangle ABCD to rectangle EFGH?

- A 1.5
- B 2.5
- C 5.0
- D 19.0

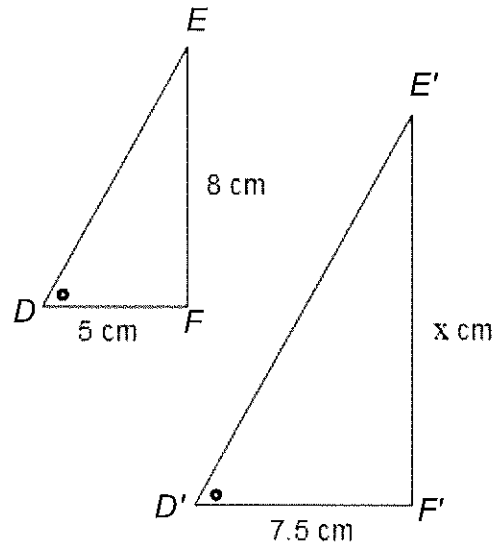
Write the *scale factors* and *values for x* for the pairs of similar triangles below.

- 2.



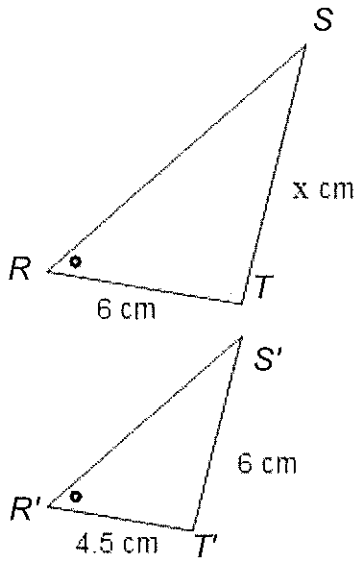
Scale Factor: $x =$

- 3.



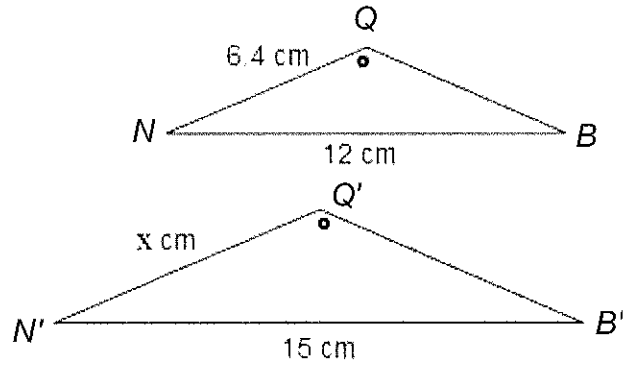
Scale Factor: $x =$

3.



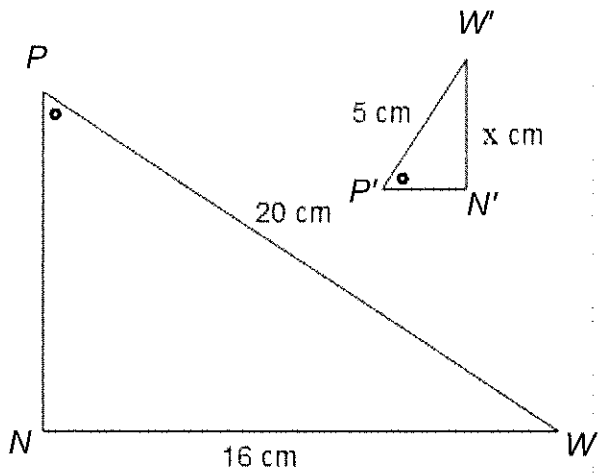
Scale Factor: $\dots\dots\dots$ $x = \dots\dots\dots$

4.



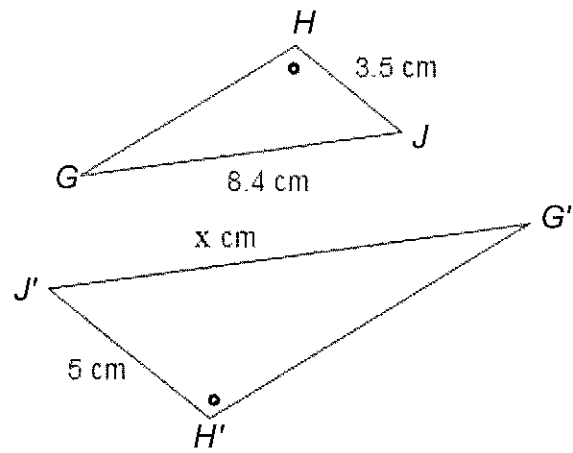
Scale Factor: $\dots\dots\dots$ $x = \dots\dots\dots$

5.



Scale Factor: $\dots\dots\dots$ $x = \dots\dots\dots$

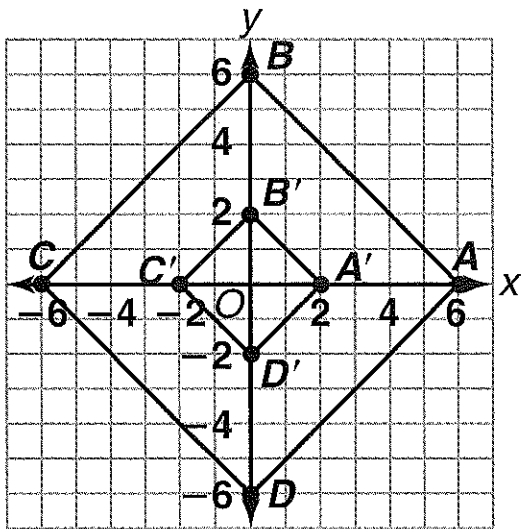
6.



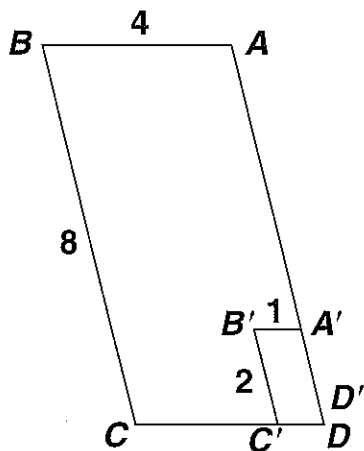
Scale Factor: $\dots\dots\dots$ $x = \dots\dots\dots$

Quadrilateral $A'B'C'D'$ is a dilation of quadrilateral $ABCD$. Find the scale factor. Classify each dilation as an enlargement or a reduction.

7. Scale Factor is _____



8. Scale Factor is _____



9. Scale Factor is _____

